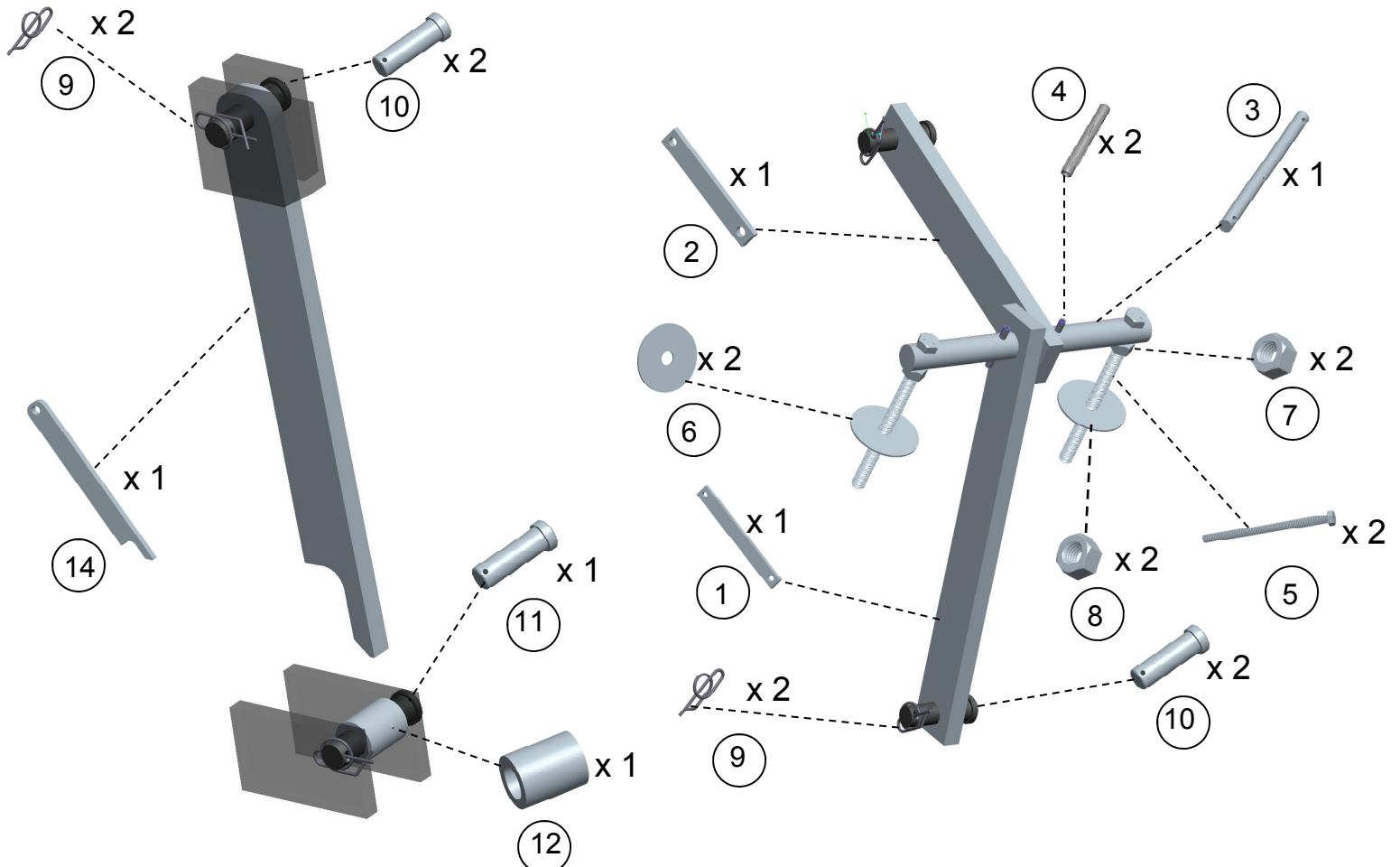


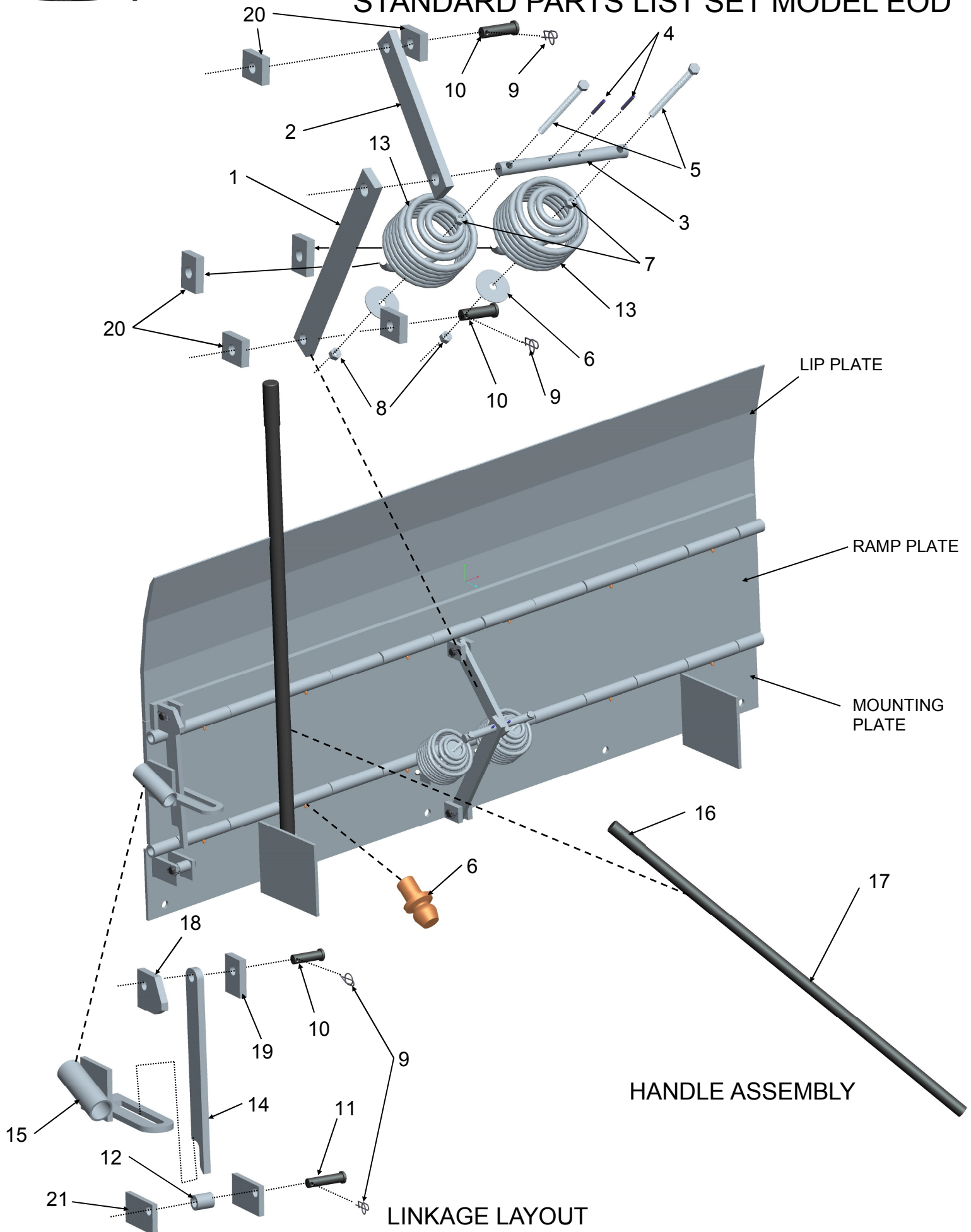
STANDARD PARTS LIST SET MODEL EOD

Item	Qty.	Part Description	Part #		List Price	Kit SET-01-02025
			20K Capacity	30K Capacity		
1	1	Link, Shaft, Spring, Lower	7225B01		\$ 35.25 each	YES
2	1	Link, Shaft, Spring, Upper	7224B01		\$ 28.75 each	YES
3	1	Shaft, Support, Spring	7219B01		\$ 26.50 each	YES
4	2	Pin, Spring, Roll, 3/16"x1-1/2"	002-065		\$ 2.75 each	YES
5	2	Scr, Hh, Gr2, 3/8"-16x5-1/2"	002-143		\$ 2.75 each	YES
6	2	Washer, FL, Fender, 2" O.D.	002-144		\$ 4.75 each	YES
7	2	Nut, HX, 3/8"-16, Pltd.	024-028		\$ 1.50 each	YES
8	2	Nut, Lock, Nylon, 3/8"-16, Pltd.	002-148		\$ 1.25 each	YES
9	4	Ring, Rue, 5/8", .072", Pltd.	002-147		\$ 2.25 each	YES
10	3	Pin, Clevis, 5/8"x 2"	002-140		\$ 5.00 each	YES
11	2	Pin, Clevis, 5/8"x 2-1/2"	002-141		\$ 6.25 each	YES
12	1	Bushing, Link, Extender, Lip	7384B01		\$ 15.00 each	YES
13	*	Spring, extension, 0.362" wire dia.	5539B01 (x2)	5539B01/5539B02	\$ 61.25 each	NO
14	1	Link, Extender, Lip	7226B01		\$ 31.00 each	YES
15	1	Sub-Weldment, Handle Socket (Welded)	7232BA		\$ 119.00 each	NO
16	1	Handle Grip, Vinyl (Replacement)	024-023		\$ 9.50 each	NO
17	1	Lever, Operating, Removable, w/Grip	095-352		\$ 62.25 each	NO
*	*	SET KIT	SET-01-02025		\$ 396.00 each	See Above



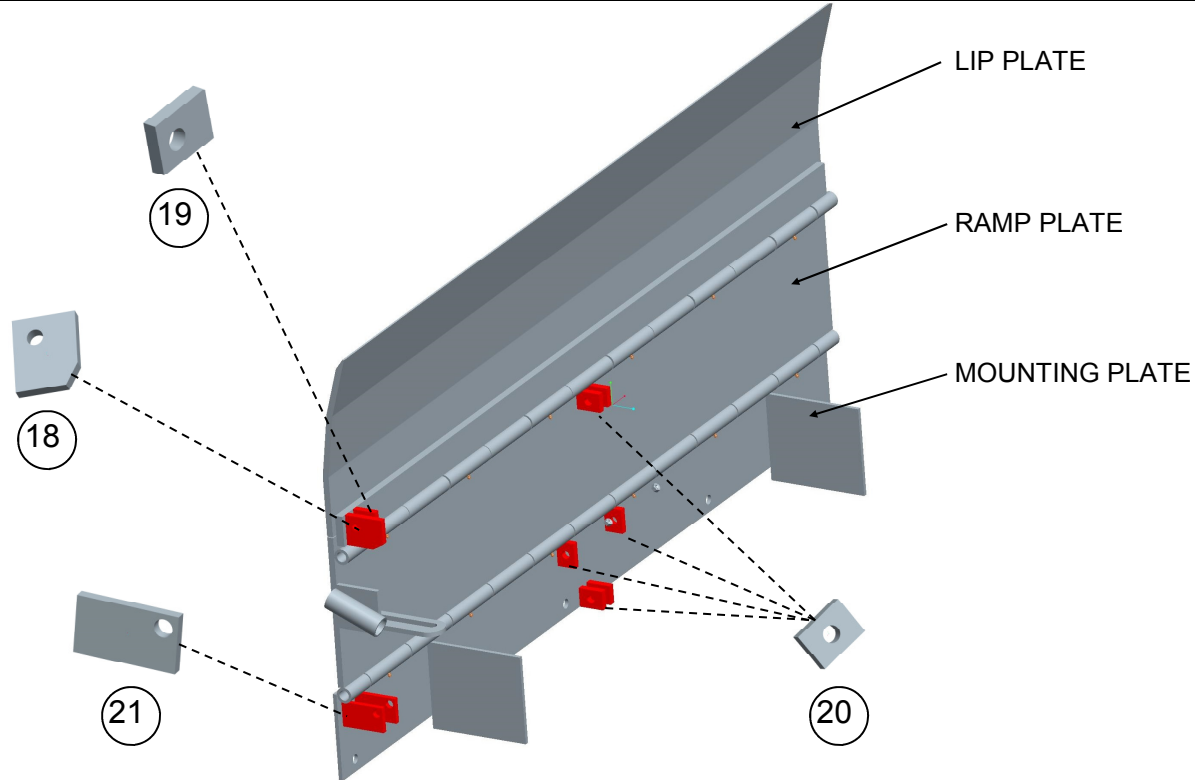
Kit SET-01-02025

STANDARD PARTS LIST SET MODEL EOD

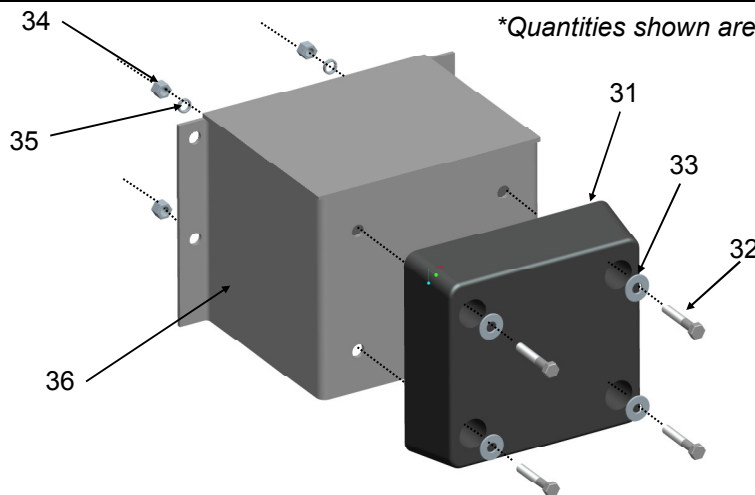


STANDARD PARTS LIST SET MODEL EOD

Item	Qty.	Description	Part #	List price	20K & 30K Capacity EOD LUG Kit SET-01-02024
18	1	Yoke, Link, Lip Extender, Tall (Welded)	7223B03	\$ 22.00 each	YES
19	1	Yoke, Link, Lip Extender, Short (Welded)	7223B02	\$ 20.00 each	YES
20	6	20K Angle lug, EOD SED	6089B01	\$ 38.50 each	YES
21	2	Yoke, Pin, Bearing (Welded)	7220B01	\$ 16.50 each	YES
*	*	20K & 30K CAPACITY EOD LUG KIT	SET-01-02024	\$ 297.00 each	See above



Item	Qty.	Description	Part #	List Price	Bumper Assembly 5552CA
31	2	12"x13"x4" Molded Rubber Bumper (Standard)	SEL-04-00015	\$ 100.50 each	YES
32	8	Scr, Hx, Gr2, 1/2"-13 x 3.00"	002-071	\$ 2.75 each	YES
33	8	Wshr, Fl, Std, 1/2"	009-004	\$ 1.50 each	YES
34	8	Nut, Hx, 1/2"-13	002-145	\$ 1.50 each	YES
35	8	Wshr, Lock, 1/2"	002-146	\$ 1.50 each	YES
36	2	12x13x12, Steel Block Weldment (4-Hole)	5551CA	\$ 264.00 each	YES
*	*	BUMPER ASSEMBLY	5552CA	\$ 447.50 each	See above



*Quantities shown are for (2) Bumper assemblies