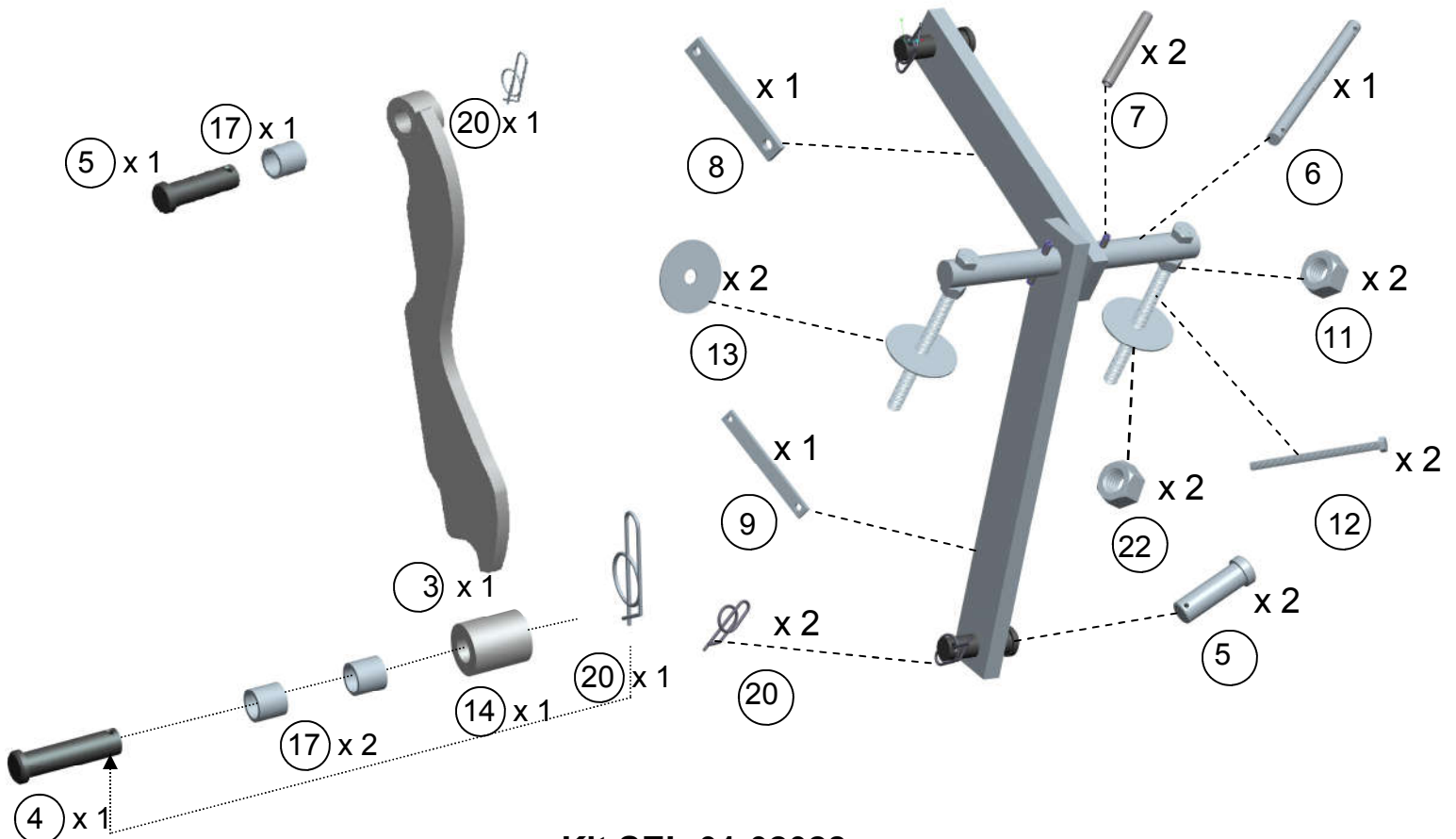
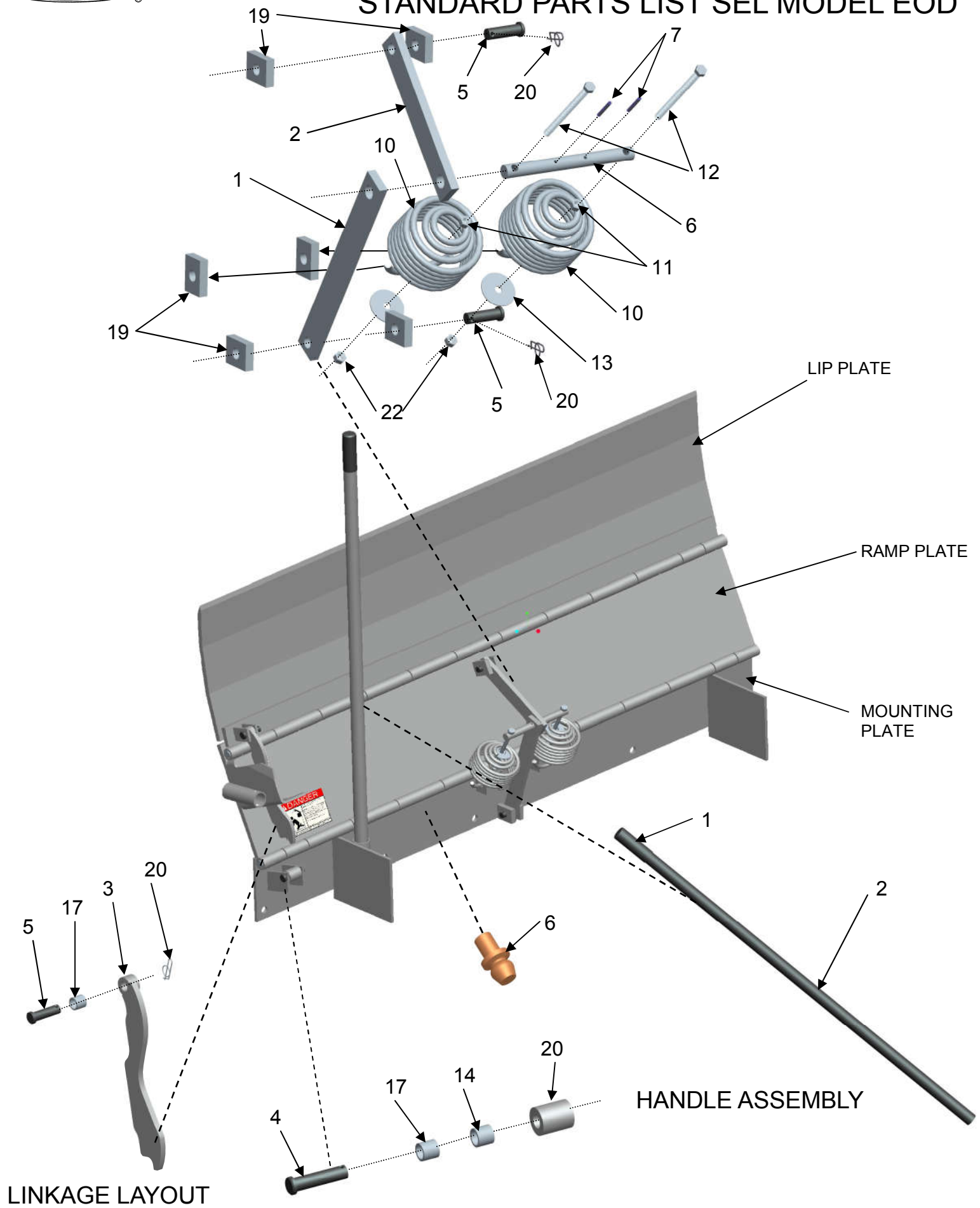


# STANDARD PARTS LIST SEL MODEL EOD

Item	Qty.	Part Description	Part #		List price	Kit SEL-01-02028
			20K Capacity	30K Capacity		
1	1	Vinyl Handle Grip	024-023		\$ 4.90 each	NO
2	1	Handle Lever w/vinyl handle grip	095-352		\$ 35.00 each	NO
3	1	Extender Linkage	SEL-02-00033		\$ 12.00 each	YES
4	1	5/8"-2-1/2" Clevis Pin	SEL-05-00001		\$ 3.00 each	YES
5	3	5/8"-2" Clevis Pin	SEL-05-00004		\$ 2.75 each	YES
6	1	Spring Support Shaft	SEL-02-00008		\$ 14.50 each	YES
7	2	3/16" Spring Roll Pin	002-065		\$ 1.20 each	YES
8	1	Upper Spring Linkage Bar	7224B01		\$ 16.00 each	YES
9	1	Lower Spring Linkage Bar	7225B01		\$ 20.00 each	YES
10	*	Extension Spring	5539B01 (2)	5539B01/5539B02	\$ 34.00 each	NO
11	2	Nut, Hex, 3/8"-16, Pltd.	024-028		\$ .60 each	YES
12	2	Scr. Hex. Gr2, 3/8"-16x5-1/2"	002-143		\$ 1.55 each	YES
13	2	Washer Fl Fender 2" O.D.	002-144		\$ 2.50 each	NO
14	1	Lower Extender Linkage Roller w/bushings	SEL-02-00012		\$ 8.00 each	YES
15	2	Linkage Pin Lug (Welded)	SEL-02-00504		\$ 6.00 each	NO
16	1	Handle Socket Sub-Weldment (Welded)	SEL-01-00010	SEL-01-00029	\$ 66.00 each	NO
17	3	Nylon sleeve bushing	SEL-04-00001		\$ 1.60 each	YES
18	2	Lower Pin Bracket (Welded)	SEL-02-00009		\$ 7.00 each	NO
19	6	Spring Lug (Welded)	SEL-02-00035		\$ 11.50 each	NO
20	4	5/8" .072 Pltd. Rue Ring	002-147		\$ .92 each	YES
21	12	Grease Fitting	002-062		\$ 1.20 each	NO
22	2	Nylon Lock Nut, Hex, 3/8"-16	002-148		\$ .55 each	YES
*	*	<b>SEL PARTS KIT</b>	<b>SEL-01-02028</b>		<b>\$ 135.00 each</b>	<b>SEE ABOVE</b>

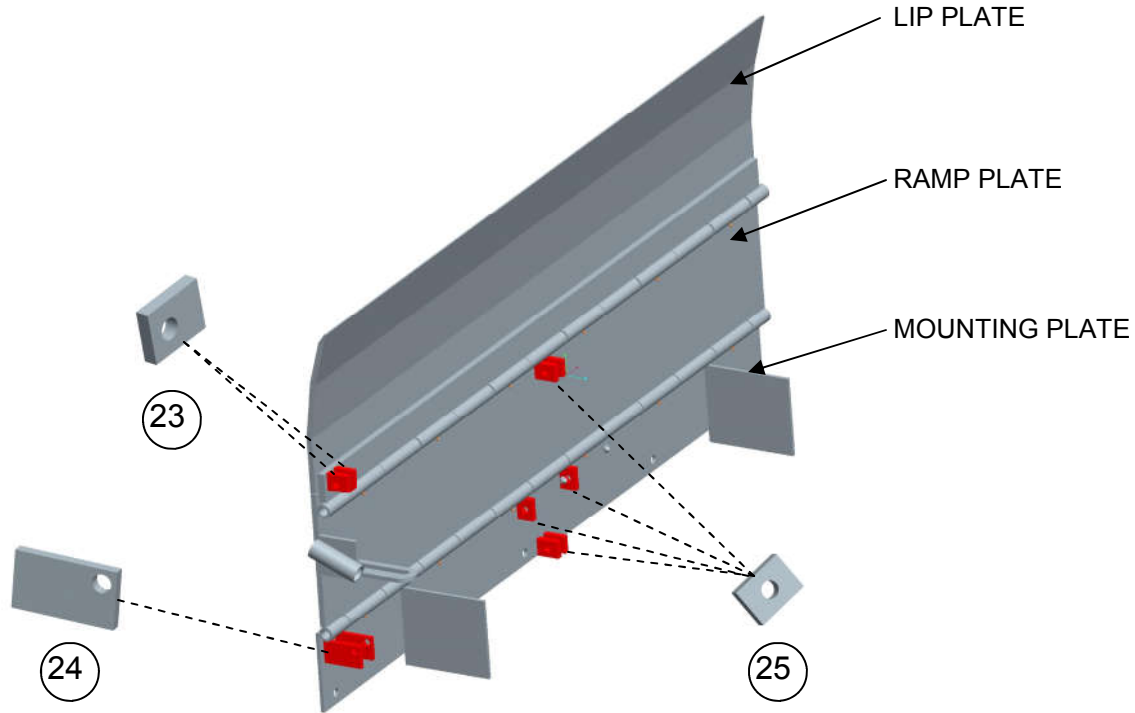

**Kit SEL-01-02028**

# STANDARD PARTS LIST SEL MODEL EOD



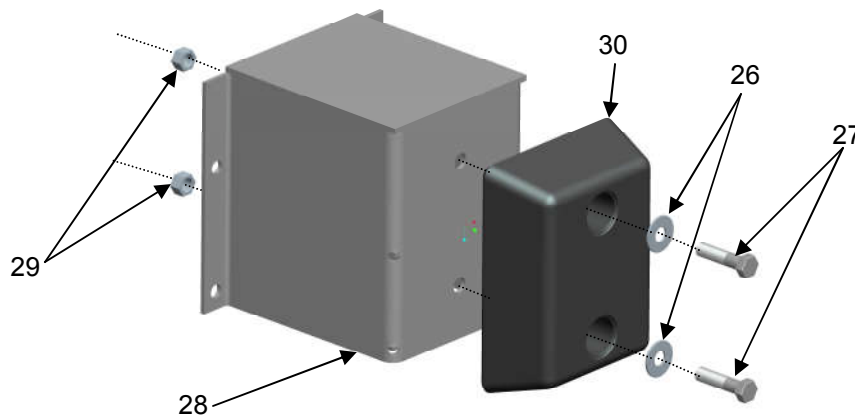
# STANDARD PARTS LIST SEL MODEL EOD

Item	Qty.	Description	Part #	List Price	20K & 30K Capacity EOD Lug Kit Kit SEL-01-02029
23	2	Yoke, Link, Lip Extender, SEL	SEL-02-00504	\$ 6.00 each	YES
24	2	Lower Pin Bracket (Welded)	SEL-02-00009	\$ 7.50 each	YES
25	6	20K Angle lug, EOD SED	SEL-02-00035	\$ 12.00 each	YES
*	*	20k & 30k Capacity EOD Lug Kit	SEL-01-02029	\$ 99.00 each	SEE ABOVE



Item	Qty.	Description	Part #	List Price	Bumper Assembly SEL-01-00094
26	2	10"x13"x4" Molded Rubber Bumper (Standard)	SEL-04-00011	\$ 30.00 each	YES
27	4	Scr, Hx, Gr2, 3/4"-10	002-154	\$ 1.25 each	YES
28	4	Wshr, Fl, Standard, 3/4"	002-156	\$ .50 each	YES
29	4	Nut, Center Lock, 3/4"-10	002-159	\$ .45 each	YES
30	2	10x13x12, Steel Block Weldment (2-Hole)	SEL-01-00082	\$ 75.00 each	YES
*	*	Bumper Assembly	SEL-01-00094	\$ 112.50 each	SEE ABOVE

\*Quantities shown are for (2) Bumper assemblies



# STANDARD PARTS LIST SEL MODEL EOD

Item	Qty	Description	Part #	List Price	Bumper Assembly 5552CA
31	2	12"x13"x4" Molded Rubber Bumper	SEL-04-00015	\$ 56.00 each	YES
32	8	Scr., Hx., Gr2, 1/2"-13x3.00"	002-071	\$ 1.25 each	YES
33	8	Wshr., Fl., Std., 1/2"	009-004	\$ .60 each	YES
34	8	Nut, Hx., 1/2"-13	002-145	\$ .60 each	YES
35	8	Wshr., Lock, 1/2"	002-146	\$ .60 each	YES
36	2	12"x13"x12" Steel Block Weldment (4-hole)	5551CA	\$ 150.00 each	YES
*	*	<b>BUMPER ASSEMBLY</b>	<b>5552CA</b>	<b>\$ 255.00 each</b>	<b>SEE ABOVE</b>

