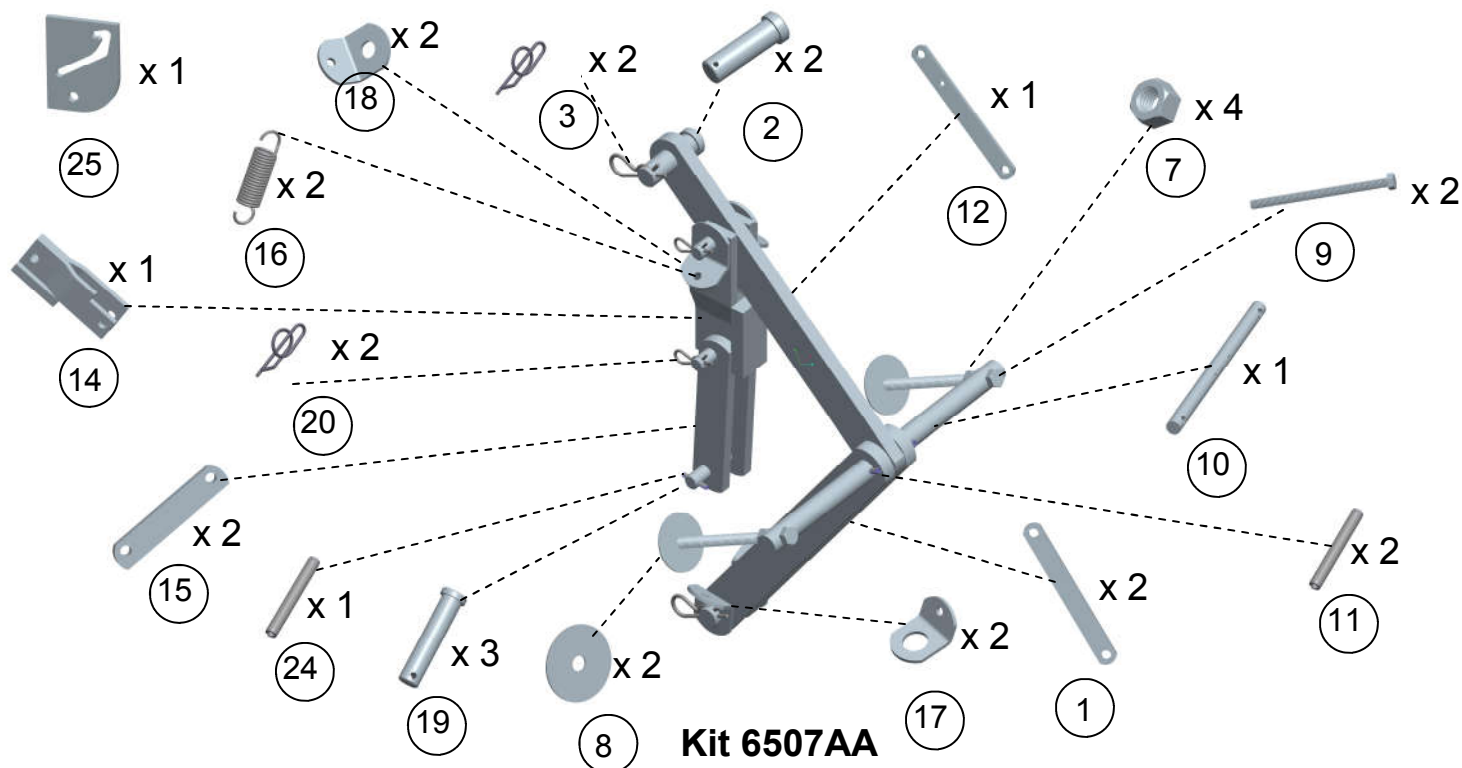
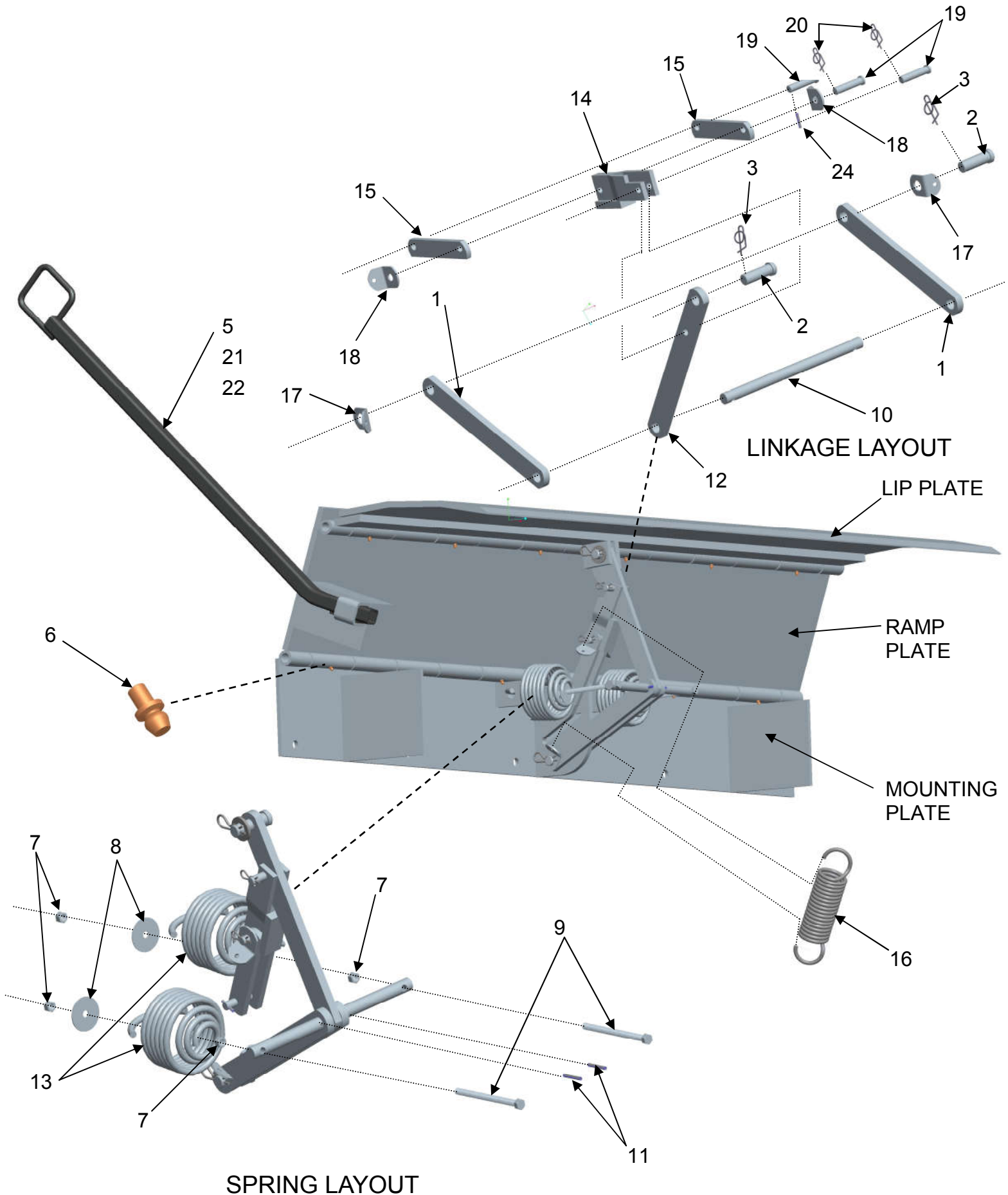


# STANDARD PARTS LIST SED MODEL EOD

Item	Qty.	Part Description	Part #		List Pricing	Kit 6507AA
			20K Capacity	30K Capacity		
1	2	Link, lower, spring, EOD SED (2-Hole)	6063B01		\$ 14.00 each	YES
2	2	Pin, clevis, 3/4"x1-7/8"EL	002-106		\$ 4.30 each	YES
3	2	Ring, rue, 3/4"HVY., 0.0915 Rue-36	002-110		\$ .85 each	YES
4	1	Lever, Operating, EOD SED (Standard)	5547BA		\$ 69.00 each	NO
5	1	WSHR, FL, 1.238"x.821"x.123"THK	002-136		\$ 1.50 each	YES
6	12	FTG, GRS, DR, Type, 3/16"	002-062		\$ 1.20 each	NO
7	4	Nut, HX, 3/8"-16	024-028		\$ .60 each	YES
8	2	WSHR, FL, FNDR, 2"ODx13/32"ID., 0.180TK	002-144		\$ 2.50 each	YES
9	2	SCR., HH, GR2, 3/8"-16x5" full thread	002-143		\$ 1.55 each	YES
10	1	Shaft, spring, 3/4"dia. X 12"	5545B01		\$ 23.00 each	YES
11	2	Pin, spring, roll, 3/16" x 1-1/2"	002-065		\$ 1.20 each	YES
12	1	Link, upper, spring, EOD SED (3-Hole)	5803B02		\$ 18.00 each	YES
13	2	Spring, extension, 0.362" wire dia.	5539B01 (x2)	5539B02 (x2)	\$ 34.00 each	NO
14	1	Link, upper, toggle EOD SED	6062BA		\$ 90.00 each	YES
15	2	Link, toggle EOD SED	5802B01		\$ 9.50 each	YES
16	2	Spring, extension, 1"dia.	5881A01		\$ 11.50 each	YES
17	2	Link spring, connector	5553A01		\$ 5.00 each	YES
18	2	Link spring, connector	5837A01		\$ 6.00 each	YES
19	3	Pin, clevis, 1/2"dia. X 2"lg.	002-107		\$ 3.50 each	YES
20	2	Ring, rue, 1/2"HVY, 0.072" rue-24	002-109		\$ .85 each	YES
21	1	Nut, HX, Lock, STV, 1/4"-20	014-009		\$ 1.20 each	NO
22	1	SCR, HH, GR5, 1/4"-20x1-3/4"	002-069		\$ .85 each	NO
23	1	Lever, operating, EOD, Removable (Optional)	5929BA		\$ 71.00 each	NO
24	1	Pin, SPRG, Roll, 5/32"dia. X 1" Plain	002-130		\$ .50 each	YES
25	1	EOD, SED, Plate CAM	6174B01		\$ 55.00 each	YES
*	*	<b>SED KIT</b>	<b>6507AA</b>		\$ 440.00 ea	<b>SEE ABOVE</b>

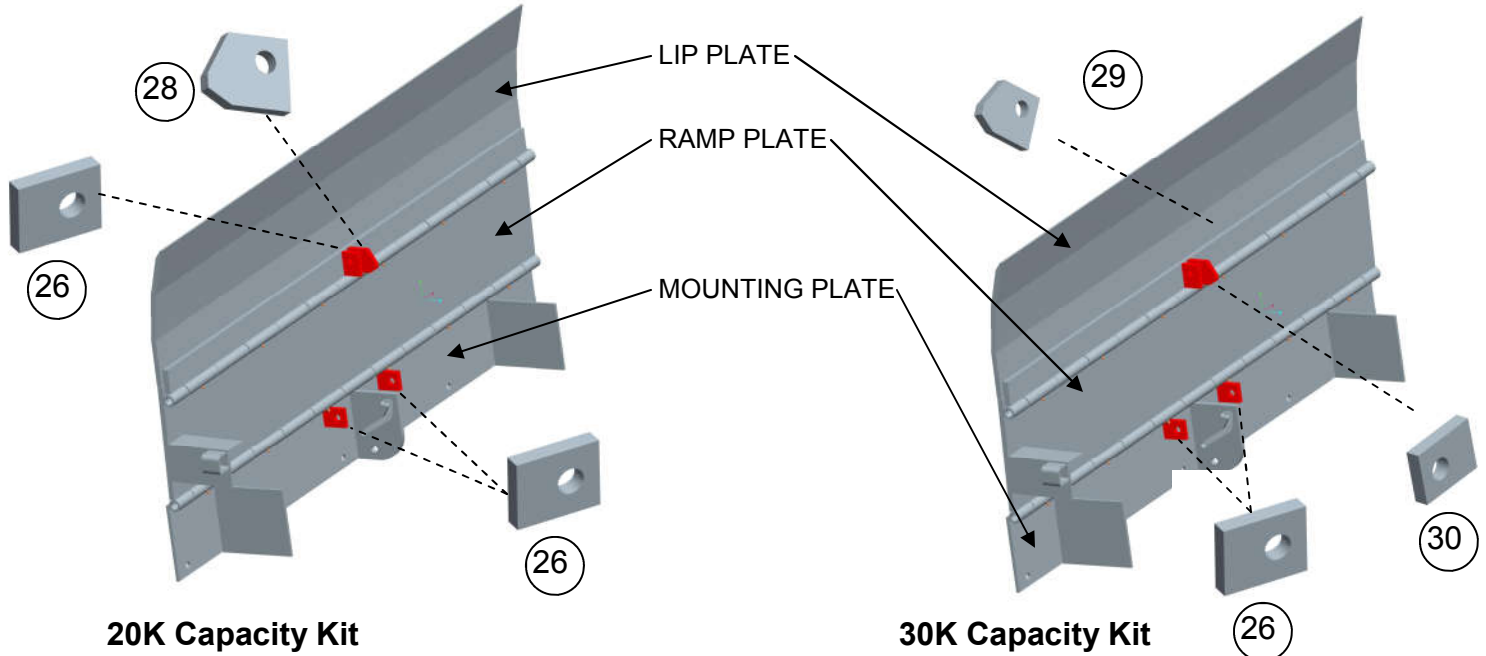


STANDARD PARTS LIST SED MODEL EOD



# STANDARD PARTS LIST SED MODEL EOD

Item	Qty.	Description	Part #	List Price	20K Capacity EOD Kit SED-01-02022	30K Capacity EOD Kit SED-01-02023
26	3	SQUARE LUG, EOD SED	5806B01	\$ 17.00 each	YES	NO
27	2	SQUARE LUG, EOD SED	5806B01	\$ 17.00 each	NO	YES
28	1	20K ANGLE LUG, EOD SED	6089B01	\$ 21.50 each	YES	NO
29	1	30K ANGLE LUG, EOD SED	6090B01	\$ 24.50 each	NO	YES
30	1	30K SQUAGE LUG, EOD SED	6090B02	\$ 22.50 each	NO	YES
*	*	20K CAPACITY EOD KIT	SED-01-02022	\$ 72.50 each	SEE ABOVE	
*	*	30K CAPACITY EOD KIT	SED-01-02023	\$ 83.00 each		SEE ABOVE



Item	Qty.	Description	Part #	List Price	Bumper Assembly 5552CA
31	2	12"x13"x4" Molded Rubber Bumper (Standard)	SEL-04-00015	\$ 56.00 each	YES
32	8	Scr, Hx, Gr2, 1/2"-13 x 3.00"	002-071	\$ 1.75 each	YES
33	8	Wshr, Fl, Std, 1/2"	009-004	\$ .60 each	YES
34	8	Nut, Hx, 1/2"-13	002-145	\$ .60 each	YES
35	8	Wshr, Lock, 1/2"	002-146	\$ .60 each	YES
36	2	12x13x12, Steel Block Weldment (4-Hole)	5551CA	\$ 150.00 each	YES
*	2	BUMPER ASSEMBLY	5552CA	\$ 255.00 each	SEE ABOVE

