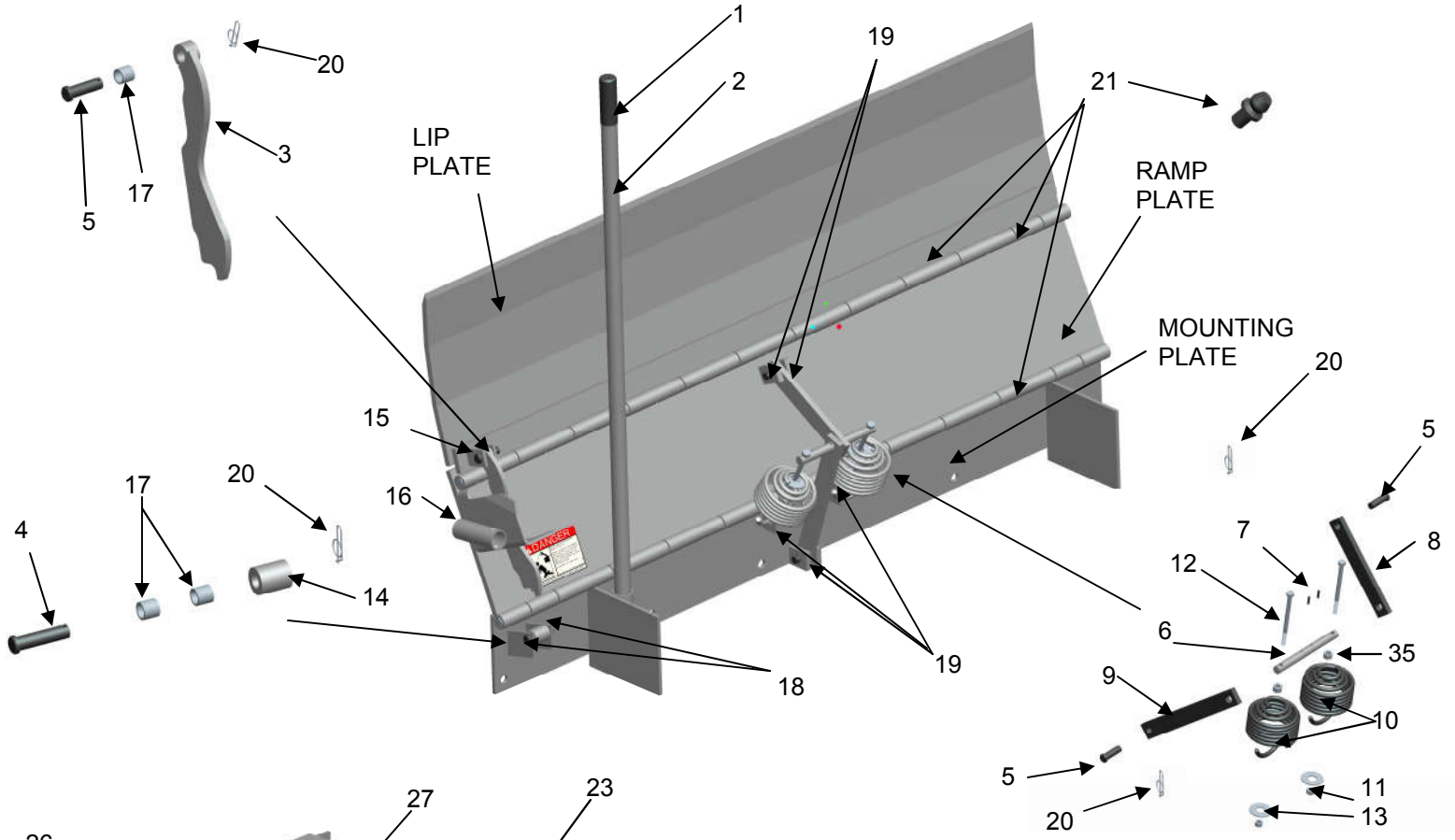




SEL — STANDARD PARTS LIST

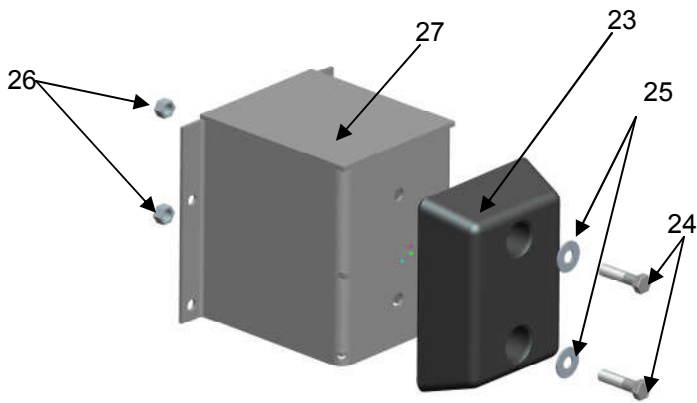
tem	Qty.	Part Description	Part #		EACH
			20K Capacity	30K Capacity	Price
1	1	Vinyl Handle Grip-replacement	024-023	024-023	\$4.50
2	1	Handle Lever w/ vinyl handle grip	095-352	095-352	\$31.40
3	1	Extender Linkage	SEL-02-00033	SEL-02-00033	\$10.80
4	1	5/8"-2-1/2" Clevis Pin	SEL-05-00001	SEL-05-00001	\$2.75
5	3	5/8"-2" Clevis Pin	SEL-05-00004	SEL-05-00004	\$2.50
6	1	Spring Support Shaft	SEL-02-00008	SEL-02-00008	\$13.15
7	2	3/16" Spring Roll Pin	002-065	002-065	\$1.10
8	1	Upper Spring Linkage Bar	7224B01	7224B01	\$9.00
9	1	Lower Spring Linkage Bar	7225B01	7225B01	\$10.50
10	2	Extension Spring	5539B01 (2)	5539B01 & 5539B02	\$31.50
11	2	Nylon Lock Nut, Hx, 3/8"-16, Pltd.	002-148	002-148	\$0.50
12	2	Scr, Hx, Gr2, 3/8"-16 x 5-1/2"	002-143	002-143	\$1.40
13	2	Wshr, Fl, Fender, 2" O.D.	002-144	002-144	\$2.15
14	1	Lower Extender Linkage Roller w/bushings	SEL-02-00012	SEL-02-00012	\$7.15
15	2	Linkage Pin Lug (Welded)	SEL-02-00504	SEL-02-00504	\$5.10
16	1	Handle Socket Sub-weldment (Welded)	SEL-01-00010	SEL-01-00029	\$60.50
17	3	Nylon Sleeve Bushing	SEL-04-00001	SEL-04-00001	\$1.45
18	2	Lower Pin Bracket (Welded)	SEL-02-00009	SEL-02-00009	\$6.15
19	6	Spring Lug (Welded)	SEL-02-00035	SEL-02-00035	\$10.25
20	4	5/8" .072 Pltd.Rue Ring	002-147	002-147	\$0.85
21	12	Grease Fitting	002-062	002-062	\$1.10
22	2	Complete bumper block assembly, 2-Hole	SEL-01-00094	SEL-01-00094	\$103.75
23	2	10"x13"x4" Molded Rubber Bumper (standard)	SEL-04-00011	SEL-04-00011	\$27.50
24	4	Scr,Hx, Gr2,3/4"-10	002-154	002-154	\$1.00
25	4	Wshr, Fl, Standard, 3/4"	002-156	002-156	\$0.45
26	4	Nut, Center Lock, 3/4"-10	002-159	002-159	\$0.40
27	2	10x13x12, Steel Block Weldment (2-Hole)	SEL-01-00082	SEL-01-00082	\$66.25
28	2	Complete bumper block assembly (4-Hole)	5552CA	5552CA	\$205.00
29	2	12"x13"x4" Molded Rubber Bumper (standard)	SEL-04-00015	SEL-04-00015	\$51.50
30	8	Scr, Hx, Gr2, 1/2"-13x 3"	002-071	002-071	\$1.60
31	8	Wshr, Fl, Std, 1/2"	009-004	009-004	\$0.55
32	8	Nut, Hx, 1/2"-13	002-145	002-145	\$0.55
33	8	Wshr, Lock, 1/2"	002-146	002-146	\$0.55
34	2	12x13x12 Steel Block Weldment (4-hole)	5551CA	5551CA	\$135.00
35	2	Nut, Hx, 3/8"-16, Pltd.	024-028	024-028	\$0.55

SEL — STANDARD PARTS LIST



STANDARD BUMPER PARTS

22



OPTIONAL BUMPER PARTS

28

