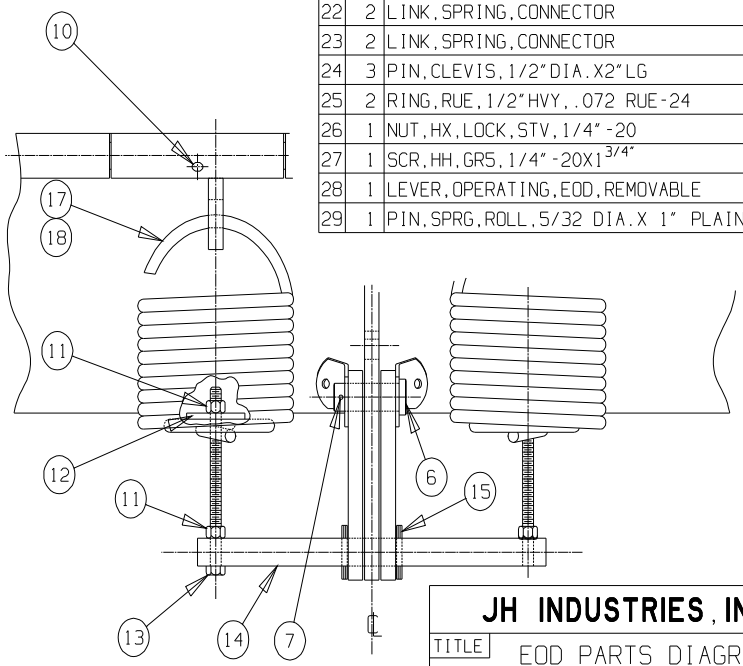
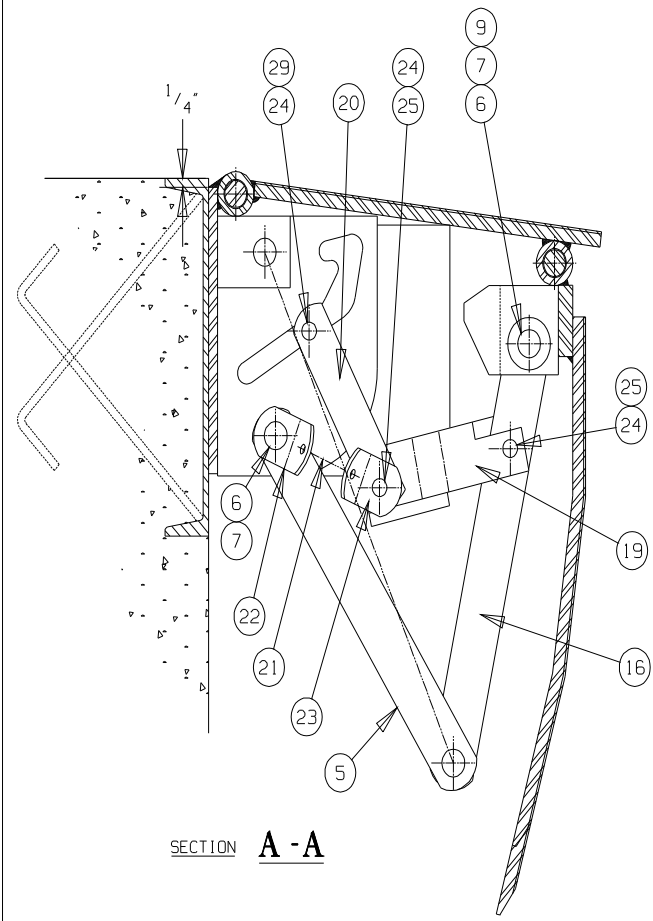
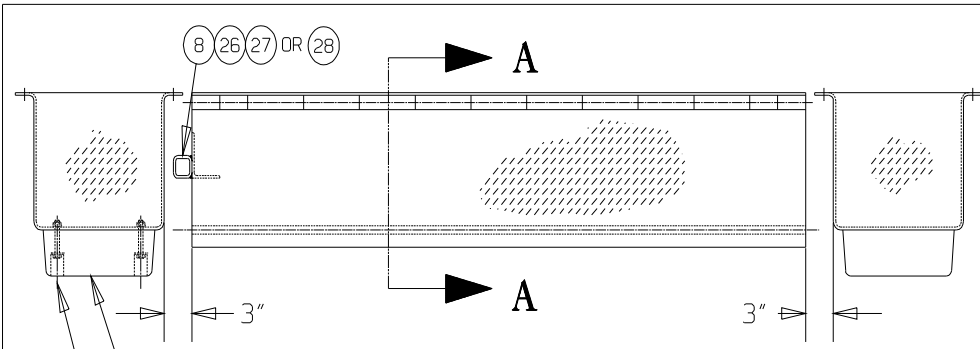


"SED" MISCELLANEOUS SPARE PARTS

APS Pricing Effective: November, 2014

<u>JH #</u>	<u>Description</u>	<u>List Price</u>
SEL-04-00015	Rubber Bumper 12" x 13" x 4"	\$ 51.50
002-071	Screw, 1/2"-13 x 3"	\$ 1.60
009-004	Washer, 1/2"	\$ 0.55
002-035	Hex Nut, 1/2" - 13	\$ 0.85
6063B01	Link, Lower, Spring, 2 Holes	\$ 7.95
002-106	Clevis Pin 3/4"	\$ 3.95
002-110	Rue Ring, 3/4"	\$ 0.75
5547BA	Handle (Square)	\$ 63.75
042-028	Washer, 3/4"	\$ 0.65
002-062	3/16" Grease Fitting	\$ 1.10
024-028	Hex Nut, 3/8" - 16	\$ 0.55
002-144	Fender washer 2" O.D.	\$ 2.15
002-143	Screw 3/8" - 16x5 - 1/2"	\$ 1.40
5545B01	Shaft Spring 3/4" x 12"	\$ 21.00
002-065	Roll Pin, 3/16" x 1-1/2"	\$ 1.10
5803B02	Link, Upper, Spring, 3 Hole	\$ 15.55
5539B01	Extension Spring 20K	\$ 31.50
5539B02	Extension Spring 30K	\$ 31.50
6062BA	Link, Upper Toggle	\$ 49.75
5802B01	Link, Toggle	\$ 8.65
5881A01	1" diam. Extension Spring	\$ 10.20
5553A01	Link, Spring, Connector	\$ 4.00
5837A01	Link, Spring, Connector	\$ 5.00
002-108	Clevis Pin, 1/2" x 1-3/4"	\$ 5.55
002-109	1/2" Rue Ring	\$ 0.75
014-009	Hex Nut, Lock 1/4"-20	\$ 1.10
002-069	Screw 1/4"-2 x 1-3/4"	\$ 0.75
002-107	Clevis Pin, 1/2" x 2	\$ 3.25
002-130	Roll Pin, 5/32" x 1"	\$ 0.45
6174B01	Cam Plate	\$ 46.75

"SED" MISCELLANEOUS SPARE PARTS DIAGRAM



#	QTY	DESCRIPTION	P/N
1	2	BUMPER, MOLDED, 12" X 13" X 4"	5567B01
2	8	SCR, HH, GR2, 1/2" - 13 X 3"	002-071
3	8	WSHR, FL, STD, 1/2"	009-004
4	8	NUT, HX, LOCK, NYLON INSERT, 1/2" - 13	002-035
5	2	LINK, LOWER, SPRING, EOD (2 HOLES)	6063B01
6	2	PIN, CLEVIS, 3/4" X 1 7/8" EL	002-106
7	2	RING, RUE, 3/4" HVY, .0915 RUE-36	002-110
8	1	LEVER, OPERATING, EOD	5547BA
9	1	WSHR, FL, 1.238" X .821" X .123" THK	002-136
10	12	FTG, GRS, DR. TYPE, 3/16"	002-062
11	4	NUT, HX, 3/8" - 16	024-028
12	2	WSHR, FL, FNDR, 2" ODX 13/32" ID, .180TK	002-101
13	2	SCR, HH, GR2, 3/8" - 16 X 5" FULL THRD	002-067
14	1	SHAFT, SPRING, 3/4" DIA, X 12"	5545B01
15	2	PIN, SPRG, ROLL, 3/16" X 1 1/2"	002-065
16	1	LINK, UPPER, SPRING, (3 HOLES)	5803B02
17	2	20,000# CAP. SPRING, EXTENSION, .362" WIRE DIA.	5539B01
18	2	30,000# CAP. SPRING, EXTENSION, .393" WIRE DIA.	5539B02
19	1	LINK, UPPER, TOGGLE	6062BA
20	2	LINK, TOGGLE	5802B01
21	2	SPRING, EXTENSION, 1" DIA.	5881A01
22	2	LINK, SPRING, CONNECTOR	5553A01
23	2	LINK, SPRING, CONNECTOR	5837A01
24	3	PIN, CLEVIS, 1/2" DIA. X 2" LG	002-107
25	2	RING, RUE, 1/2" HVY, .072 RUE-24	002-109
26	1	NUT, HX, LOCK, STV, 1/4" - 20	014-009
27	1	SCR, HH, GRS, 1/4" - 20 X 1 3/4"	002-069
28	1	LEVER, OPERATING, EOD, REMOVABLE	5929BA
29	1	PIN, SPRG, ROLL, 5/32 DIA. X 1" PLAIN	002-130

SECTION **A-A**

JH INDUSTRIES, INC.

TITLE EOD PARTS DIAGRAM FOR LEVER OPERATED UNITS			
DRAWN BY	DATE	SHEET	DRAWING NO.
DLL	1/10/97	1-1	5625