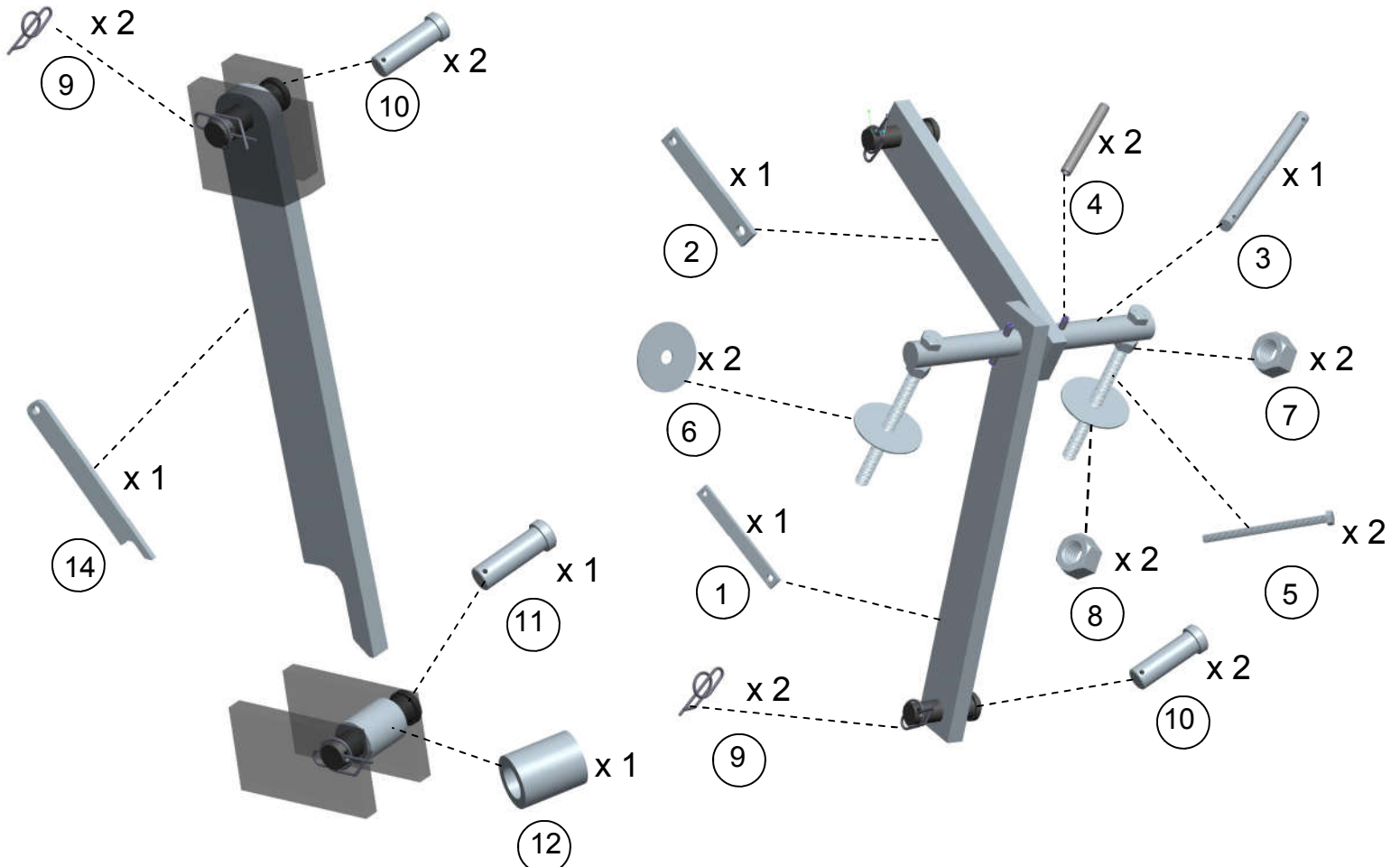
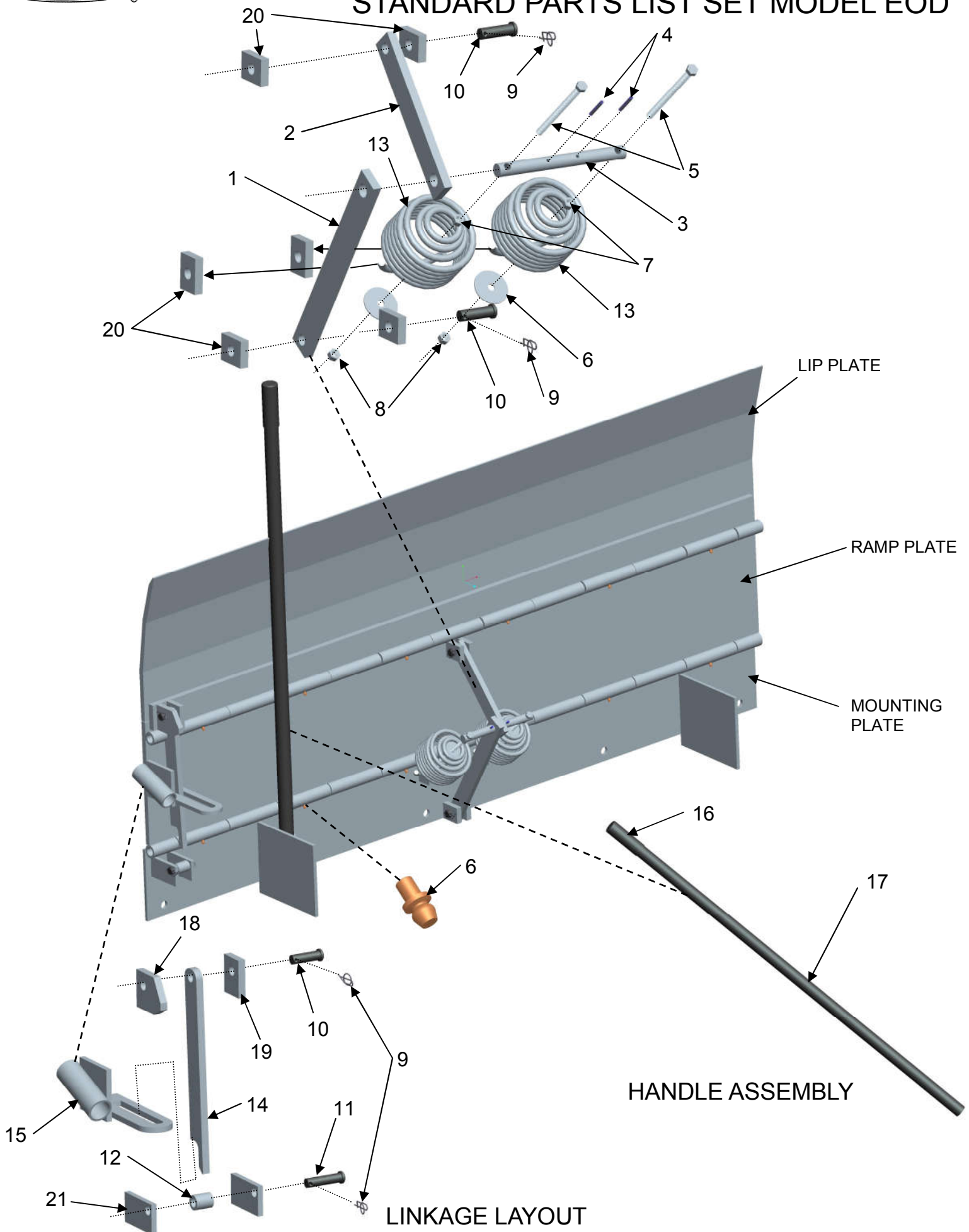


**STANDARD PARTS LIST SET MODEL EOD**

| Item | Qty. | Part Description                     | Part #              |                 | List Price            | Kit SET-01-02025 |
|------|------|--------------------------------------|---------------------|-----------------|-----------------------|------------------|
|      |      |                                      | 20K Capacity        | 30K Capacity    |                       |                  |
| 1    | 1    | Link, Shaft, Spring, Lower           | 7225B01             |                 | \$ 20.00 each         | YES              |
| 2    | 1    | Link, Shaft, Spring, Upper           | 7224B01             |                 | \$ 16.00 each         | YES              |
| 3    | 1    | Shaft, Support, Spring               | 7219B01             |                 | \$ 14.60 each         | YES              |
| 4    | 2    | Pin, Spring, Roll, 3/16"x1-1/2"      | 002-065             |                 | \$ 1.20 each          | YES              |
| 5    | 2    | Scr, Hh, Gr2, 3/8"-16x5-1/2"         | 002-143             |                 | \$ 1.55 each          | YES              |
| 6    | 2    | Washer, FL, Fender, 2" O.D.          | 002-144             |                 | \$ 2.50 each          | YES              |
| 7    | 2    | Nut, HX, 3/8"-16, Pltd.              | 024-028             |                 | \$ .60 each           | YES              |
| 8    | 2    | Nut, Lock, Nylon, 3/8"-16, Pltd.     | 002-148             |                 | \$ .55 each           | YES              |
| 9    | 4    | Ring, Rue, 5/8", .072", Pltd.        | 002-147             |                 | \$ .92 each           | YES              |
| 10   | 3    | Pin, Clevis, 5/8"x 2"                | 002-140             |                 | \$ 2.90 each          | YES              |
| 11   | 2    | Pin, Clevis, 5/8"x 2-1/2"            | 002-141             |                 | \$ 3.20 each          | YES              |
| 12   | 1    | Bushing, Link, Extender, Lip         | 7384B01             |                 | \$ 8.15 each          | YES              |
| 13   | *    | Spring, extension, 0.362" wire dia.  | 5539B01 (x2)        | 5539B01/5539B02 | \$ 34.00 each         | NO               |
| 14   | 1    | Link, Extender, Lip                  | 7226B01             |                 | \$ 17.00 each         | YES              |
| 15   | 1    | Sub-Weldment, Handle Socket (Welded) | 7232BA              |                 | \$ 67.00 each         | NO               |
| 16   | 1    | Handle Grip, Vinyl (Replacement)     | 024-023             |                 | \$ 4.90 each          | NO               |
| 17   | 1    | Lever, Operating, Removable, w/Grip  | 095-352             |                 | \$ 35.00 each         | NO               |
| *    | *    | <b>SET KIT</b>                       | <b>SET-01-02025</b> |                 | <b>\$ 220.00 each</b> | See Above        |

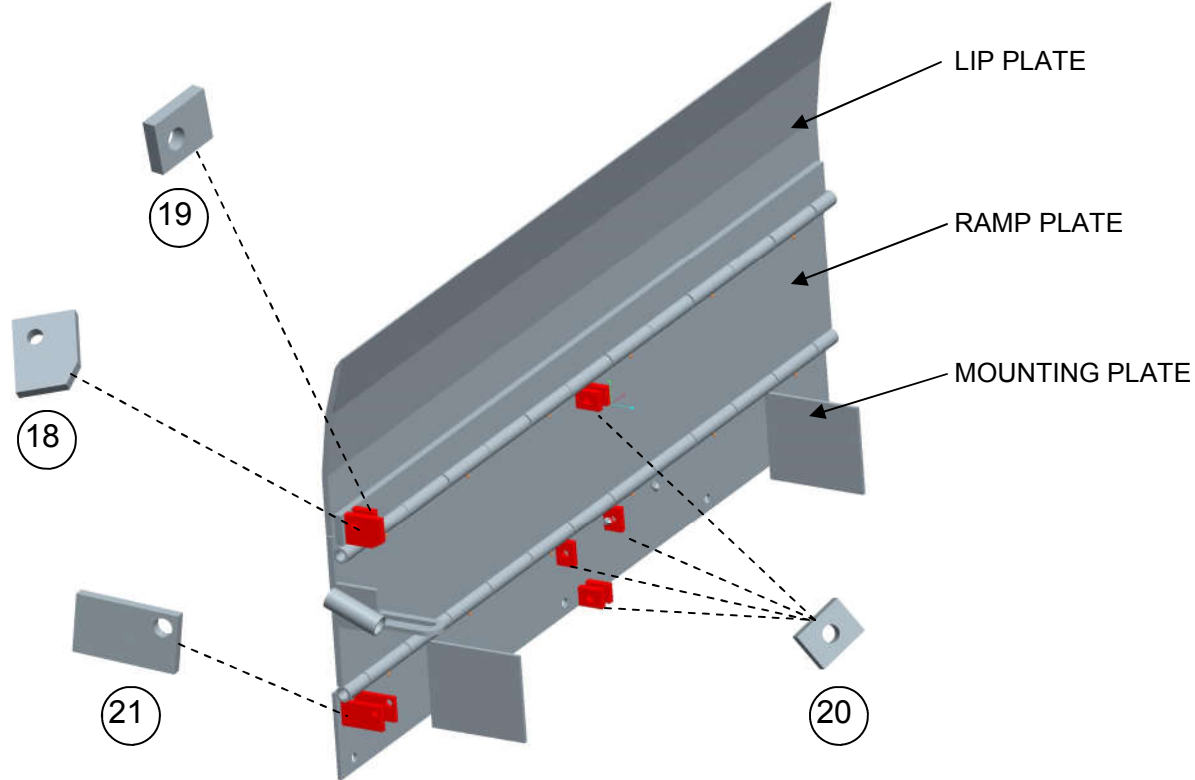

**Kit SET-01-02025**

# STANDARD PARTS LIST SET MODEL EOD

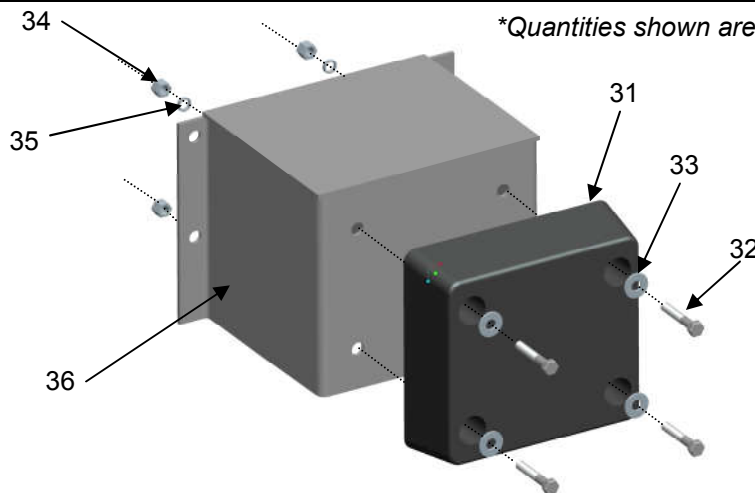


# STANDARD PARTS LIST SET MODEL EOD

| Item | Qty. | Description                               | Part #              | List price            | 20K & 30K Capacity EOD LUG Kit SET-01-02024 |
|------|------|-------------------------------------------|---------------------|-----------------------|---------------------------------------------|
| 18   | 1    | Yoke, Link, Lip Extender, Tall (Welded)   | 7223B03             | \$ 12.00 each         | YES                                         |
| 19   | 1    | Yoke, Link, Lip Extender, Short (Welded)  | 7223B02             | \$ 11.00 each         | YES                                         |
| 20   | 6    | 20K Angle lug, EOD SED                    | 6089B01             | \$ 21.50 each         | YES                                         |
| 21   | 2    | Yoke, Pin, Bearing (Welded)               | 7220B01             | \$ 9.00 each          | YES                                         |
| *    | *    | <b>20K &amp; 30K CAPACITY EOD LUG KIT</b> | <b>SET-01-02024</b> | <b>\$ 170.00 each</b> | <b>See above</b>                            |



| Item | Qty. | Description                                | Part #        | List Price            | Bumper Assembly 5552CA |
|------|------|--------------------------------------------|---------------|-----------------------|------------------------|
| 31   | 2    | 12"x13"x4" Molded Rubber Bumper (Standard) | SEL-04-00015  | \$ 56.00 each         | YES                    |
| 32   | 8    | Scr, Hx, Gr2, 1/2"-13 x 3.00"              | 002-071       | \$ 1.75 each          | YES                    |
| 33   | 8    | Wshr, Fl, Std, 1/2"                        | 009-004       | \$ .60 each           | YES                    |
| 34   | 8    | Nut, Hx, 1/2"-13                           | 002-145       | \$ .60 each           | YES                    |
| 35   | 8    | Wshr, Lock, 1/2"                           | 002-146       | \$ .60 each           | YES                    |
| 36   | 2    | 12x13x12, Steel Block Weldment (4-Hole)    | 5551CA        | \$ 150.00 each        | YES                    |
| *    | *    | <b>BUMPER ASSEMBLY</b>                     | <b>5552CA</b> | <b>\$ 255.00 each</b> | <b>See above</b>       |



\*Quantities shown are for (2) Bumper assemblies